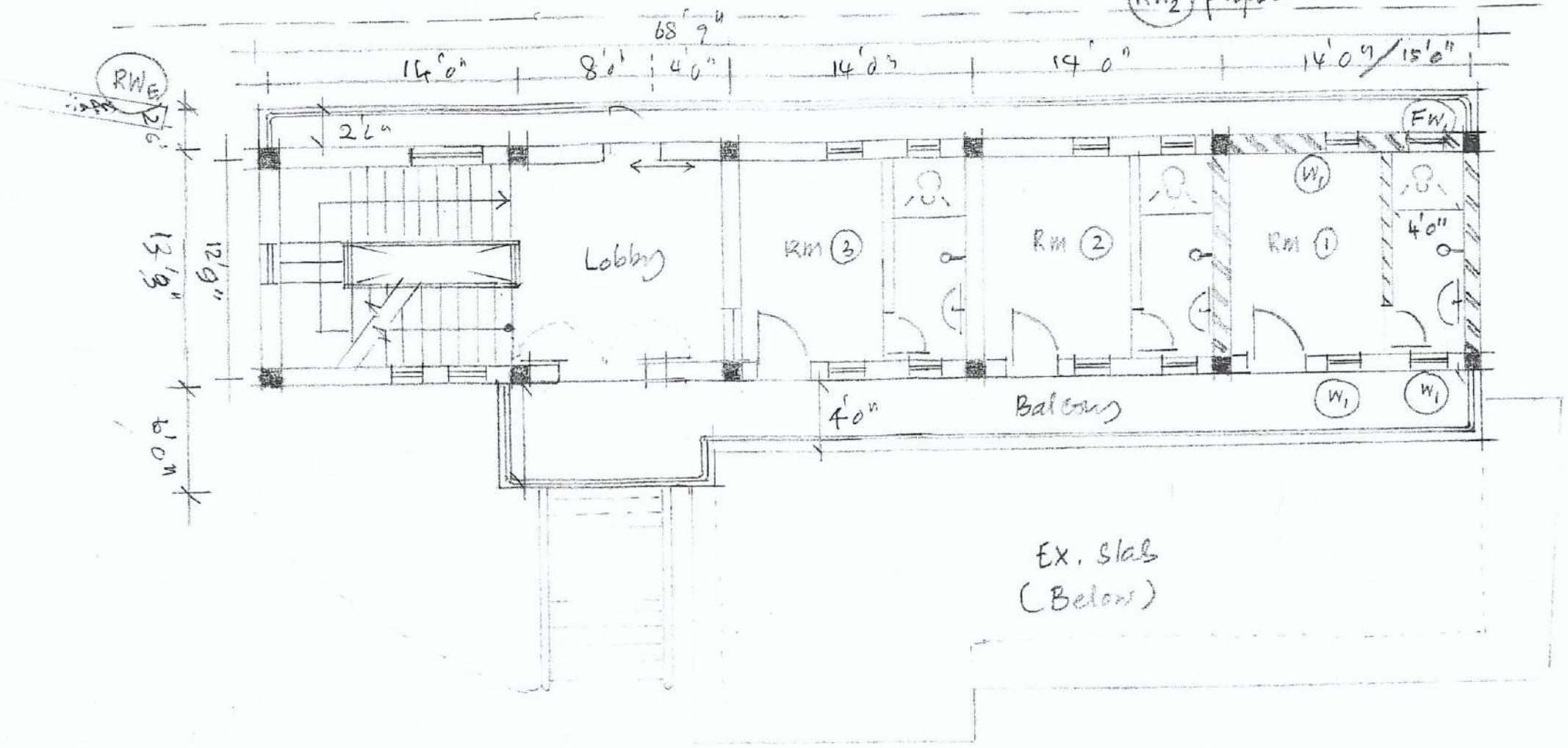
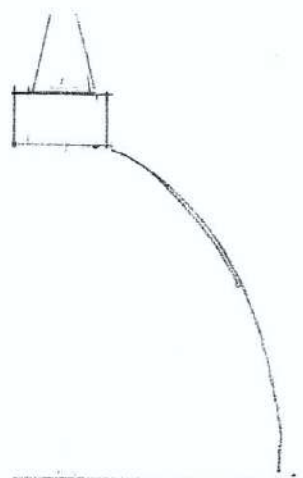


Ground Floor Level

RW₂ proposed



1st Floor Level.



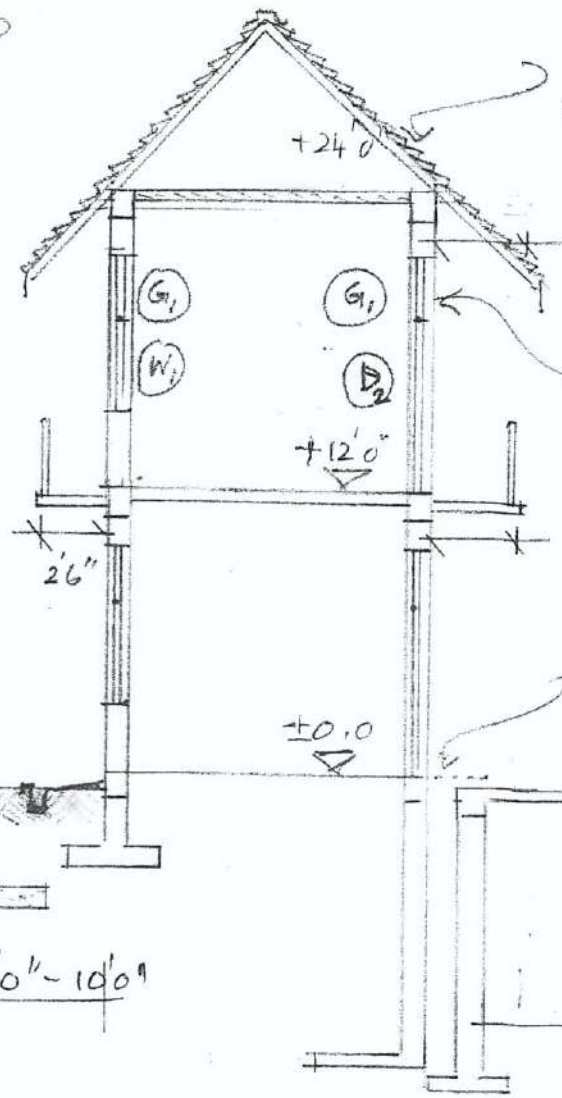
Walayahlu
Bämwa

Circumulatory
Path

A₁ ≈ 30'0"

h₁

8'0" - 10'0"



Half Round tile profile
Zn/Al sheet roof cladding
fixed to timber structure

G₁ - in par with
the grill of
Main Vihara

gap filling
to be decided
at the site

Ex. Kitchen

+24'0"

+12'0"

±0.0

-9'0"

-10'0"

26"

G₁

G₁

D₂

W₁